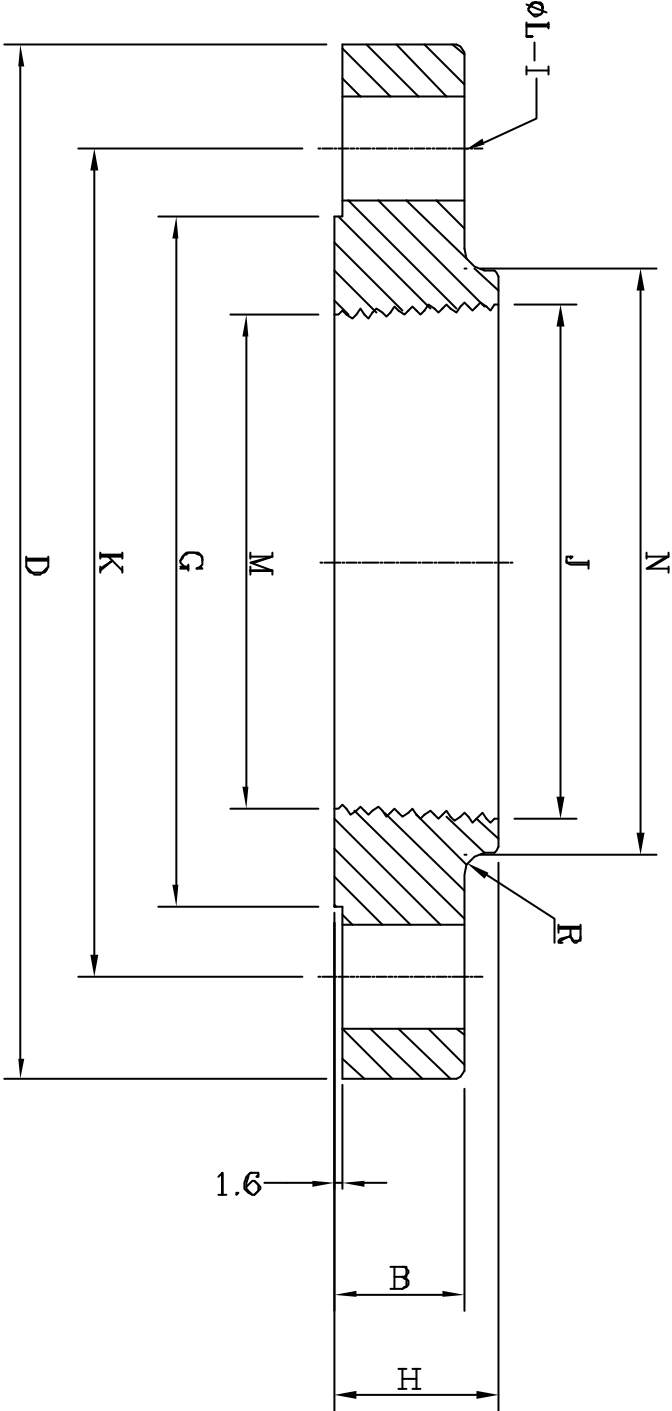


MACHINING DRAWING



THRUF	D	J	M	B	H	N	G	K	L	I
-------	---	---	---	---	---	---	---	---	---	---

- * ALL DIMENSIONS ARE IN M.M.
- * DO NOT SCALE THE DWG.
- * DIMENSIONS TAKEN ON INTERSECT POINT OTHER WISE SPECIFIED.

MACHINING TOLERANCES		TITLE:-	
UNSPECIFIED DRAFT ANGLE:-	AS SHOWN	THREADED	
UNSPECIFIED RADII	-:-		
LENGTH	-:-		
WIDTH	-:-		
NAME	DATE	ROLLWELL FORGE LIMITED	
ANISH	17.06.09	BEHIND G.E.B. SUB STATION, SURREY NO.229/ N.H.BB HALKOTI-GONDAL HIGHWAY SHAPAR-360 002.	
CHECKED		NO. DRAWING	
APPROVED		NO. DATE DRN. CHKD.	